



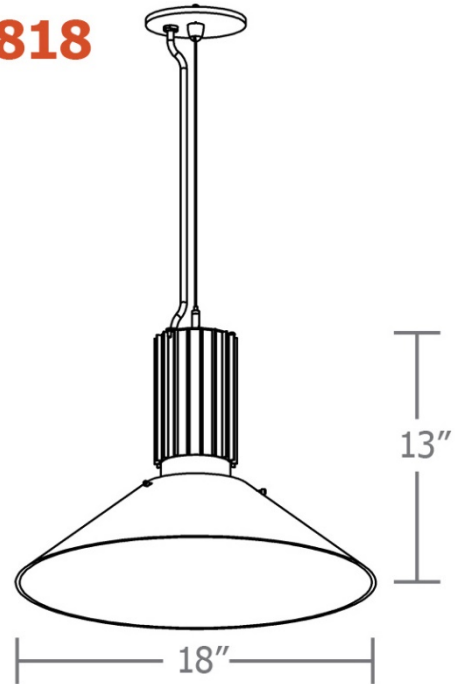
## ko.n™ 5-slider

your lighting rep has recommended the **ko.n™** pendant for your project. Let's take a quick look:



## sizes and lumens

**P9818**



- P9818 (18") / 1645 – 2350 lm



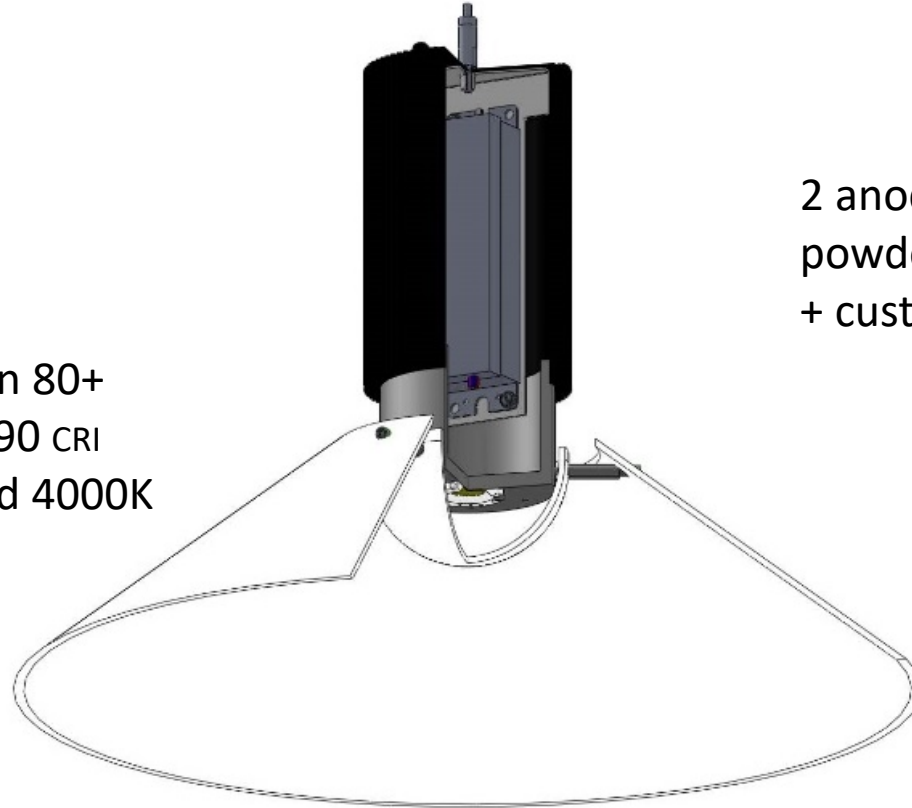
# construction

integral programmable driver, constant current, field maintainable, universal input (120-277v), 0-10v controllable to 1% dimming.

5" dia. spun steel canopy with single or dual, field adjustable stainless steel cables that allow for exact AFF mounting heights

option to wire for remote emergency battery pack supplied by other

single COB LED module in 80+ CRI standard or optional 90 CRI 2700K, 3000K, 3500K and 4000K



2 anodized finishes, 18 standard powder coat paint finishes + custom RAL colors

optional color cloth power cord in blue, orange, purple, red, or white & gray dot

18" dia. open bottom .125" white acrylic diffuser cone

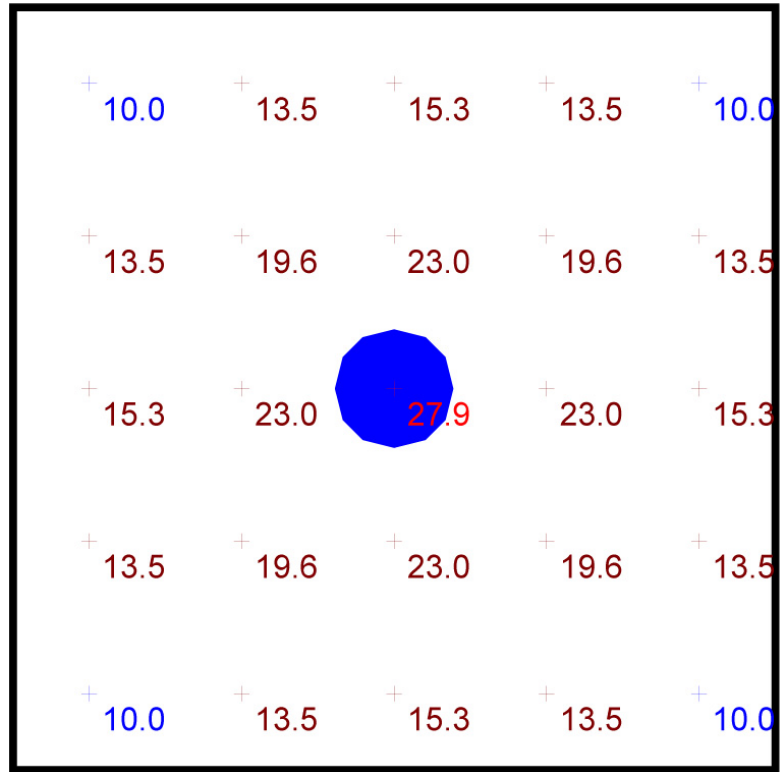
secondary white diffuser dome over LED softens down light

(POC) power over cable suspension system option provides a clean look without the need for a separate power cord

# performance

## Statistics

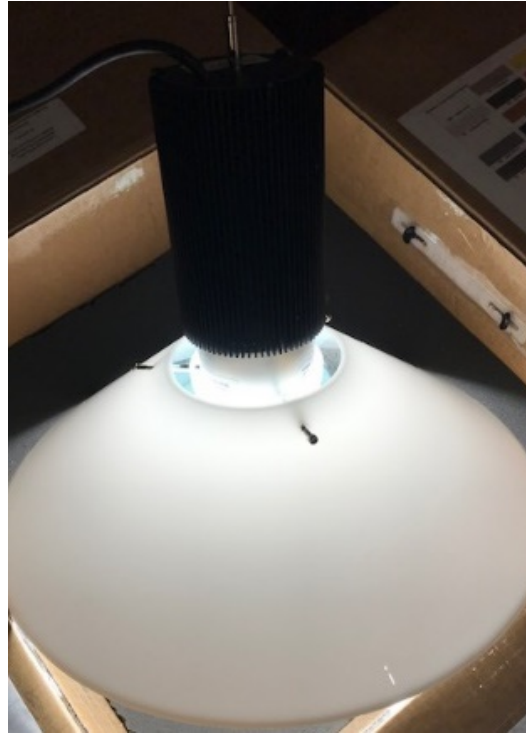
Description	Symbol	Avg	Max	Min	Max/Min	Avg/Min
Ko.n	+	16.3 fc	27.9 fc	10.0 fc	2.8:1	1.6:1



Plan View  
Scale - 1" = 2ft

- 10' x 10' x 10'H space
- 80/50/20 reflectances
- bottom of fixture at 8' aff
- FC readings at 2.5' aff
- layout conducted using P9818 LO lumen package (2350 delivered lumens)





[www.impactltg.com](http://www.impactltg.com)

- spec sheet and color chart
- photometric files and BIM models
- built to order in Saint Louis, MO, USA
- 4-week lead time

ko.n™ 5-slider

